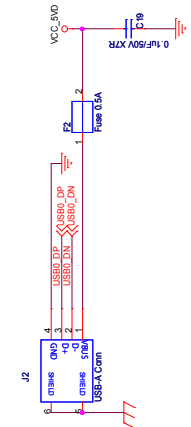
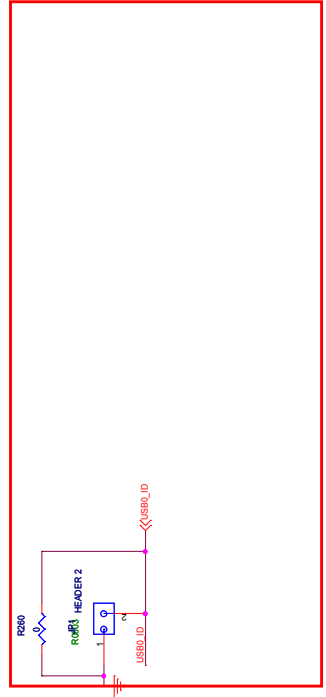
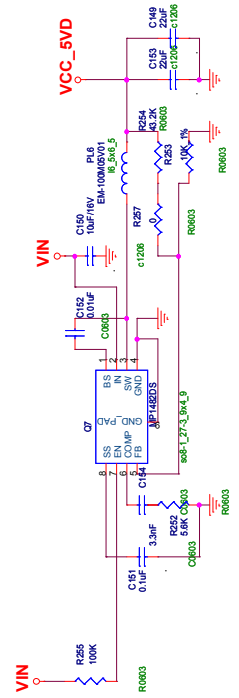
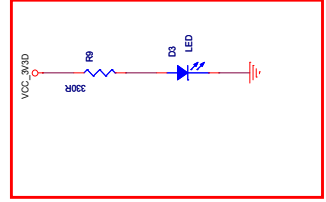
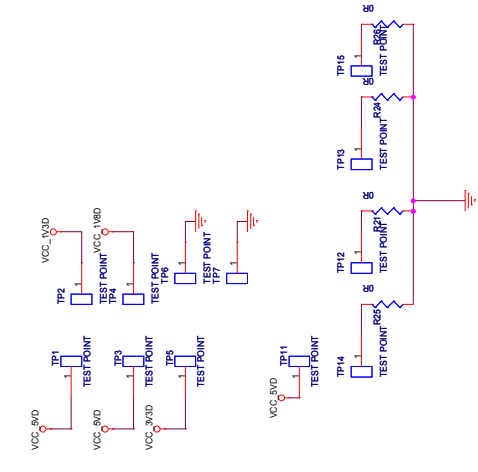
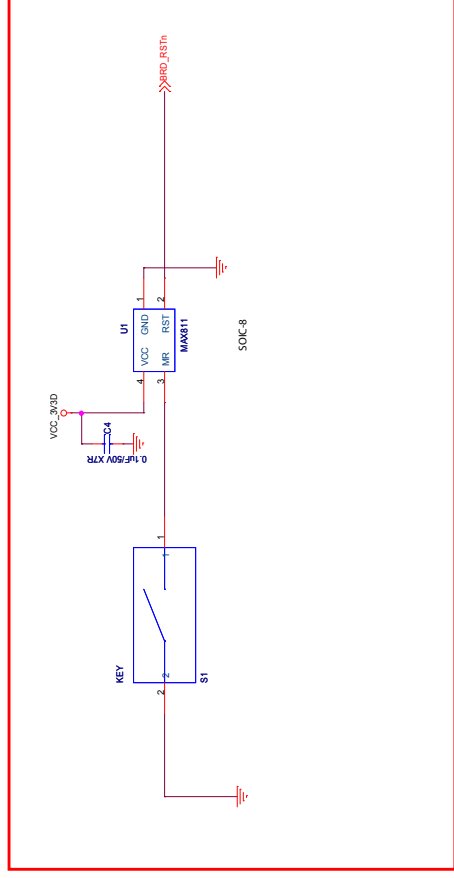
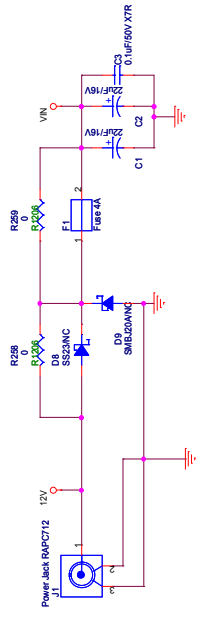
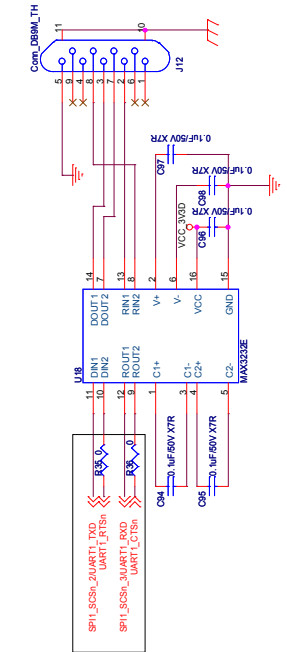
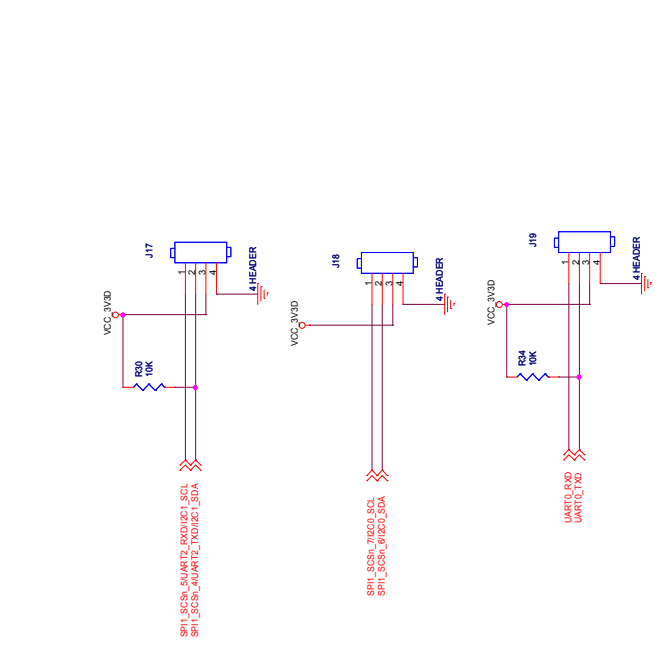
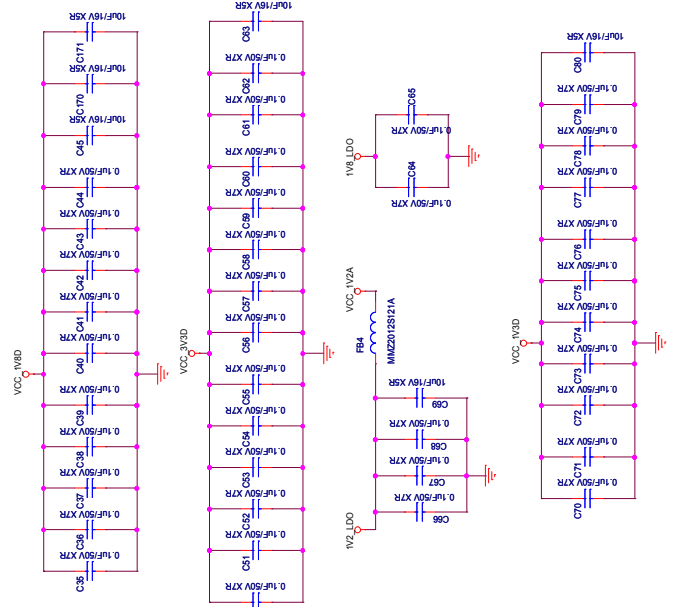
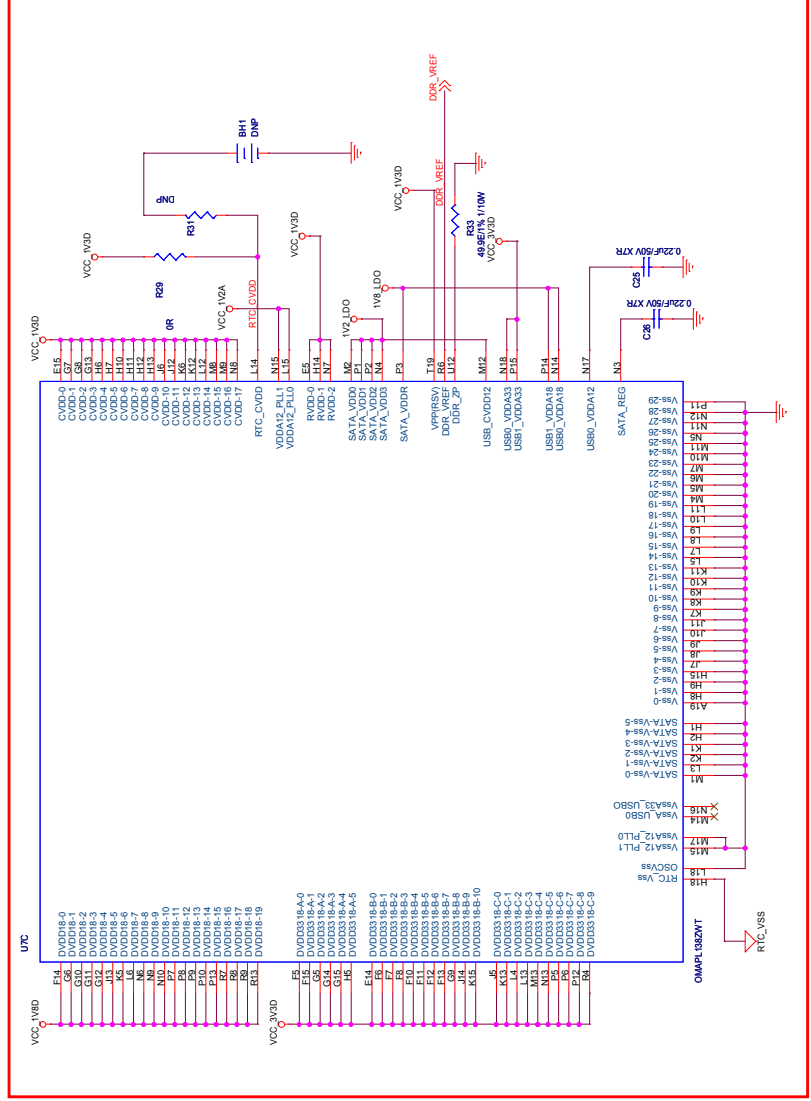


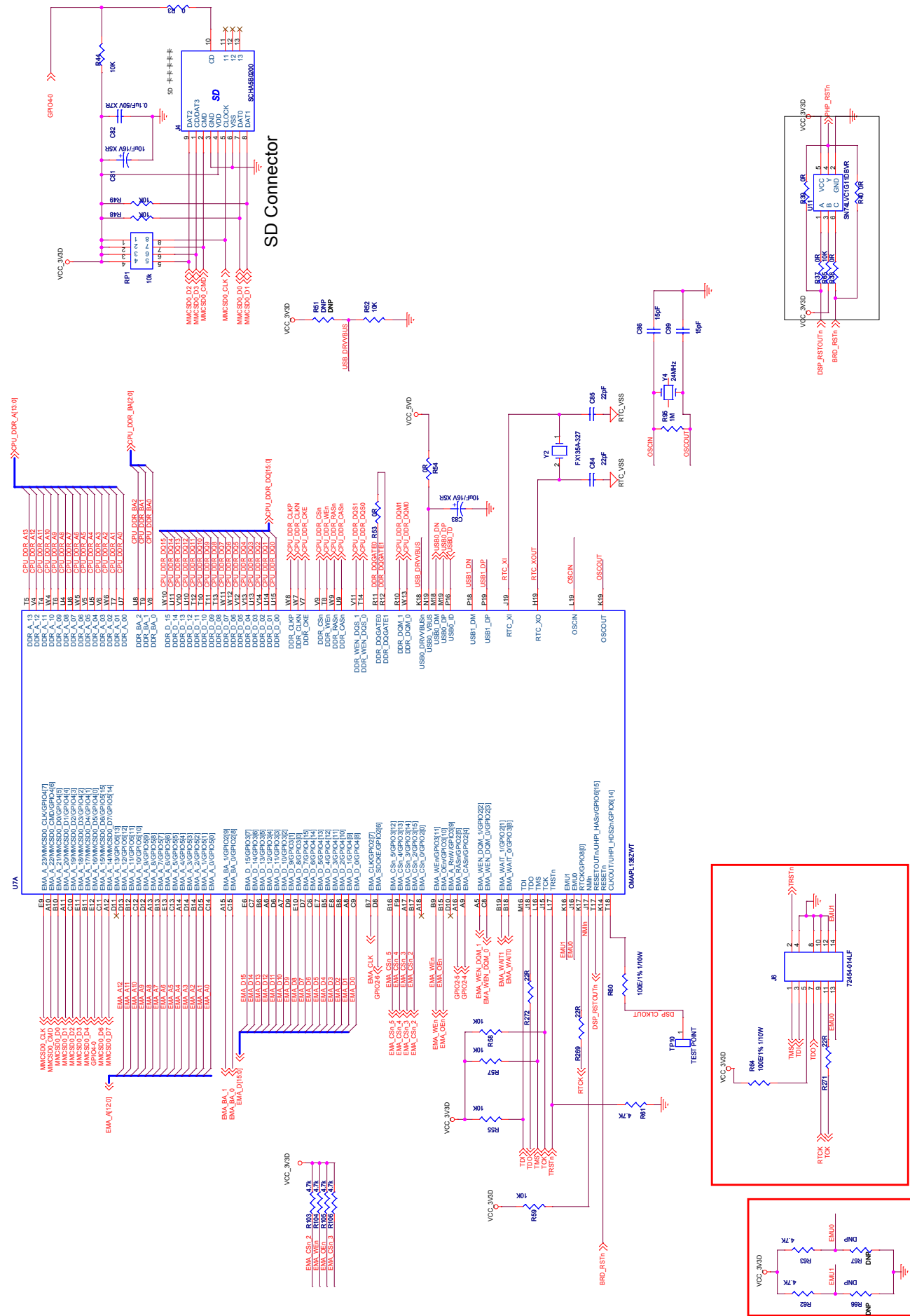
Title Asiri: v0.9

Size A4 Document Number 20121110

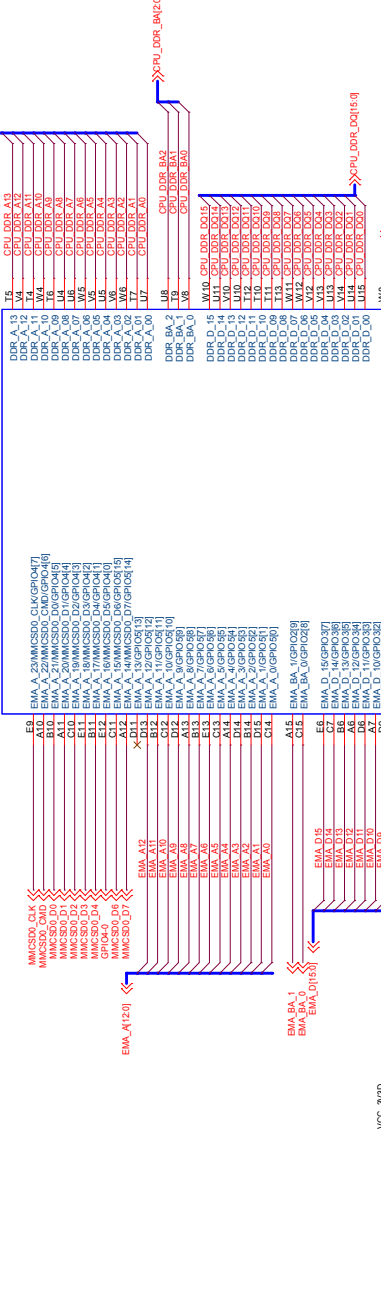
Date: Tuesday, July 02, 2013 Sheet 3 of 12

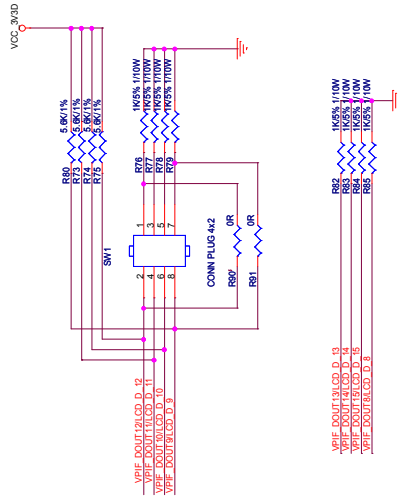






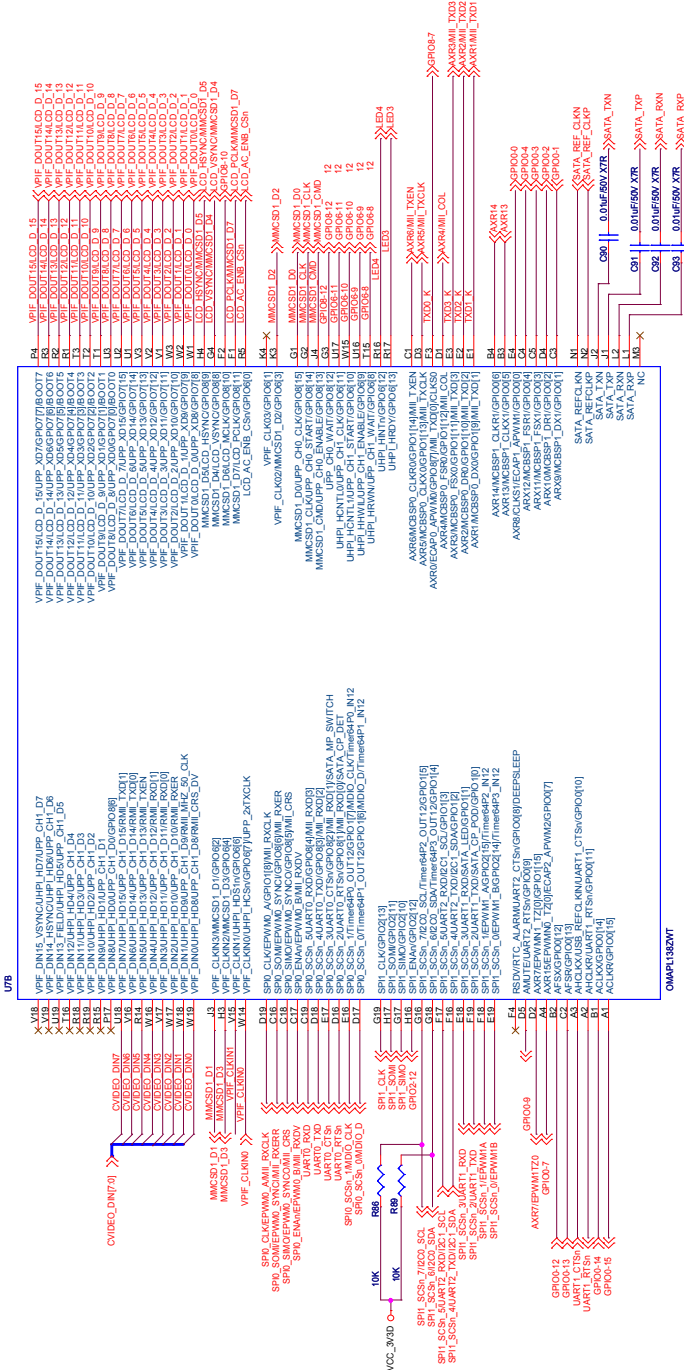
### SD Connector

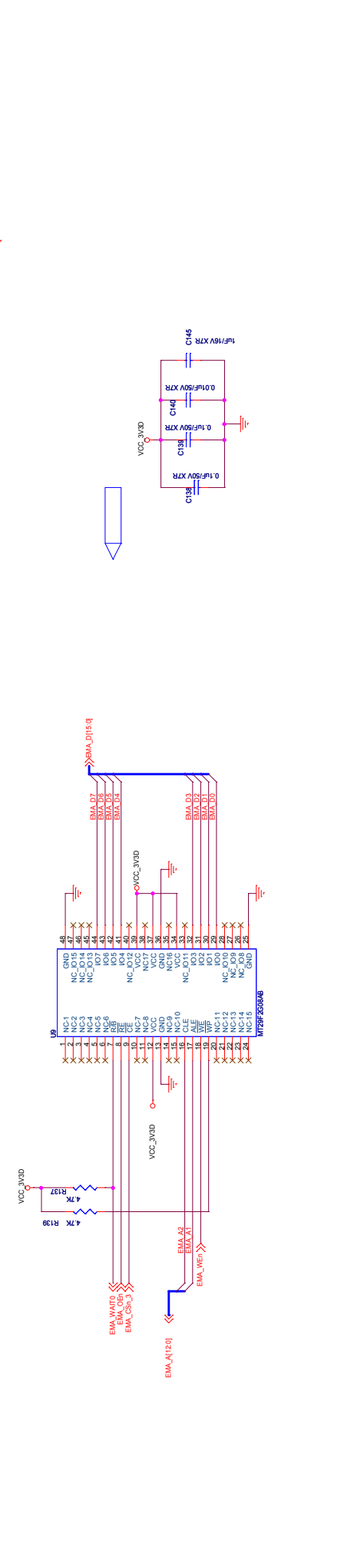
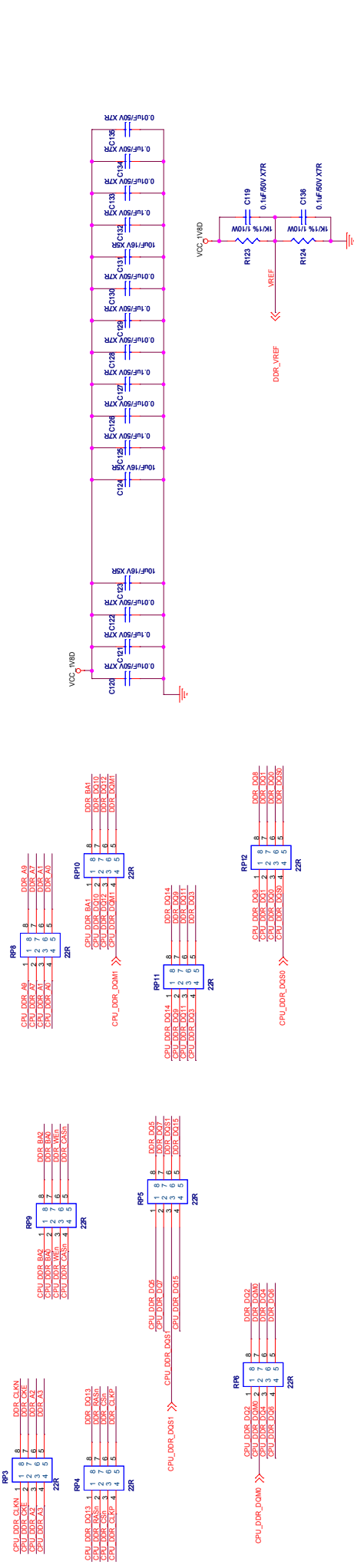
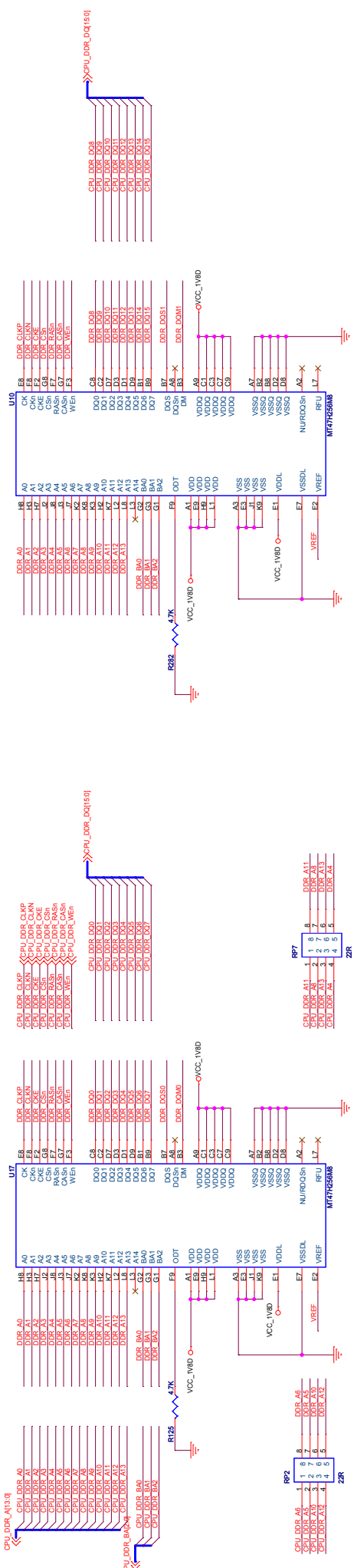


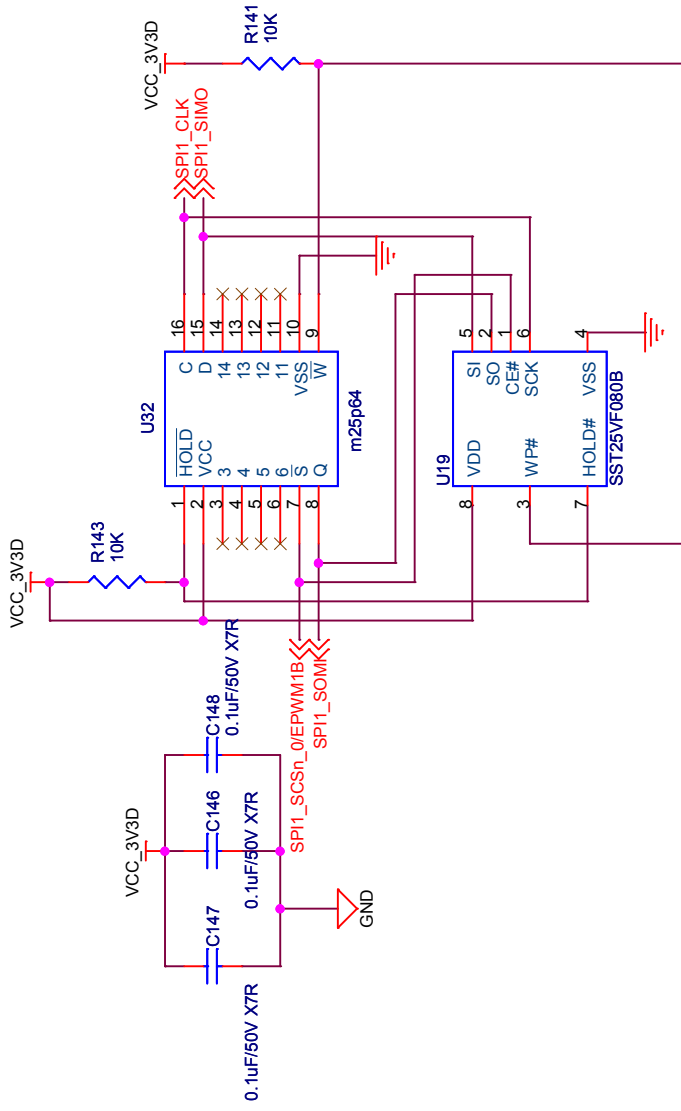


VIF_D0U13LCD_D_13	1K/5% 1/10W
VIF_D0U14LCD_D_14	1K/5% 1/10W
VIF_D0U15LCD_D_15	1K/5% 1/10W
VIF_D0U16LCD_D_16	1K/5% 1/10W
VIF_D0U17LCD_D_17	1K/5% 1/10W
VIF_D0U18LCD_D_18	1K/5% 1/10W
VIF_D0U19LCD_D_19	1K/5% 1/10W
VIF_D0U20LCD_D_20	1K/5% 1/10W
VIF_D0U21LCD_D_21	1K/5% 1/10W
VIF_D0U22LCD_D_22	1K/5% 1/10W
VIF_D0U23LCD_D_23	1K/5% 1/10W
VIF_D0U24LCD_D_24	1K/5% 1/10W
VIF_D0U25LCD_D_25	1K/5% 1/10W
VIF_D0U26LCD_D_26	1K/5% 1/10W
VIF_D0U27LCD_D_27	1K/5% 1/10W
VIF_D0U28LCD_D_28	1K/5% 1/10W
VIF_D0U29LCD_D_29	1K/5% 1/10W
VIF_D0U30LCD_D_30	1K/5% 1/10W
VIF_D0U31LCD_D_31	1K/5% 1/10W
VIF_D0U32LCD_D_32	1K/5% 1/10W
VIF_D0U33LCD_D_33	1K/5% 1/10W
VIF_D0U34LCD_D_34	1K/5% 1/10W
VIF_D0U35LCD_D_35	1K/5% 1/10W
VIF_D0U36LCD_D_36	1K/5% 1/10W
VIF_D0U37LCD_D_37	1K/5% 1/10W
VIF_D0U38LCD_D_38	1K/5% 1/10W
VIF_D0U39LCD_D_39	1K/5% 1/10W
VIF_D0U40LCD_D_40	1K/5% 1/10W
VIF_D0U41LCD_D_41	1K/5% 1/10W
VIF_D0U42LCD_D_42	1K/5% 1/10W
VIF_D0U43LCD_D_43	1K/5% 1/10W
VIF_D0U44LCD_D_44	1K/5% 1/10W
VIF_D0U45LCD_D_45	1K/5% 1/10W
VIF_D0U46LCD_D_46	1K/5% 1/10W
VIF_D0U47LCD_D_47	1K/5% 1/10W
VIF_D0U48LCD_D_48	1K/5% 1/10W
VIF_D0U49LCD_D_49	1K/5% 1/10W
VIF_D0U50LCD_D_50	1K/5% 1/10W
VIF_D0U51LCD_D_51	1K/5% 1/10W
VIF_D0U52LCD_D_52	1K/5% 1/10W
VIF_D0U53LCD_D_53	1K/5% 1/10W
VIF_D0U54LCD_D_54	1K/5% 1/10W
VIF_D0U55LCD_D_55	1K/5% 1/10W
VIF_D0U56LCD_D_56	1K/5% 1/10W
VIF_D0U57LCD_D_57	1K/5% 1/10W
VIF_D0U58LCD_D_58	1K/5% 1/10W
VIF_D0U59LCD_D_59	1K/5% 1/10W
VIF_D0U60LCD_D_60	1K/5% 1/10W
VIF_D0U61LCD_D_61	1K/5% 1/10W
VIF_D0U62LCD_D_62	1K/5% 1/10W
VIF_D0U63LCD_D_63	1K/5% 1/10W
VIF_D0U64LCD_D_64	1K/5% 1/10W
VIF_D0U65LCD_D_65	1K/5% 1/10W
VIF_D0U66LCD_D_66	1K/5% 1/10W
VIF_D0U67LCD_D_67	1K/5% 1/10W
VIF_D0U68LCD_D_68	1K/5% 1/10W
VIF_D0U69LCD_D_69	1K/5% 1/10W
VIF_D0U70LCD_D_70	1K/5% 1/10W
VIF_D0U71LCD_D_71	1K/5% 1/10W
VIF_D0U72LCD_D_72	1K/5% 1/10W
VIF_D0U73LCD_D_73	1K/5% 1/10W
VIF_D0U74LCD_D_74	1K/5% 1/10W
VIF_D0U75LCD_D_75	1K/5% 1/10W
VIF_D0U76LCD_D_76	1K/5% 1/10W
VIF_D0U77LCD_D_77	1K/5% 1/10W
VIF_D0U78LCD_D_78	1K/5% 1/10W
VIF_D0U79LCD_D_79	1K/5% 1/10W
VIF_D0U80LCD_D_80	1K/5% 1/10W
VIF_D0U81LCD_D_81	1K/5% 1/10W
VIF_D0U82LCD_D_82	1K/5% 1/10W
VIF_D0U83LCD_D_83	1K/5% 1/10W
VIF_D0U84LCD_D_84	1K/5% 1/10W
VIF_D0U85LCD_D_85	1K/5% 1/10W
VIF_D0U86LCD_D_86	1K/5% 1/10W
VIF_D0U87LCD_D_87	1K/5% 1/10W
VIF_D0U88LCD_D_88	1K/5% 1/10W
VIF_D0U89LCD_D_89	1K/5% 1/10W
VIF_D0U90LCD_D_90	1K/5% 1/10W
VIF_D0U91LCD_D_91	1K/5% 1/10W
VIF_D0U92LCD_D_92	1K/5% 1/10W
VIF_D0U93LCD_D_93	1K/5% 1/10W
VIF_D0U94LCD_D_94	1K/5% 1/10W
VIF_D0U95LCD_D_95	1K/5% 1/10W
VIF_D0U96LCD_D_96	1K/5% 1/10W
VIF_D0U97LCD_D_97	1K/5% 1/10W
VIF_D0U98LCD_D_98	1K/5% 1/10W
VIF_D0U99LCD_D_99	1K/5% 1/10W
VIF_D0U100LCD_D_100	1K/5% 1/10W

BOOT DEVICE	BOOT BITS[4:1]
SPI FLASH	0110
UART2	1010







Title Asiri:) v0.9

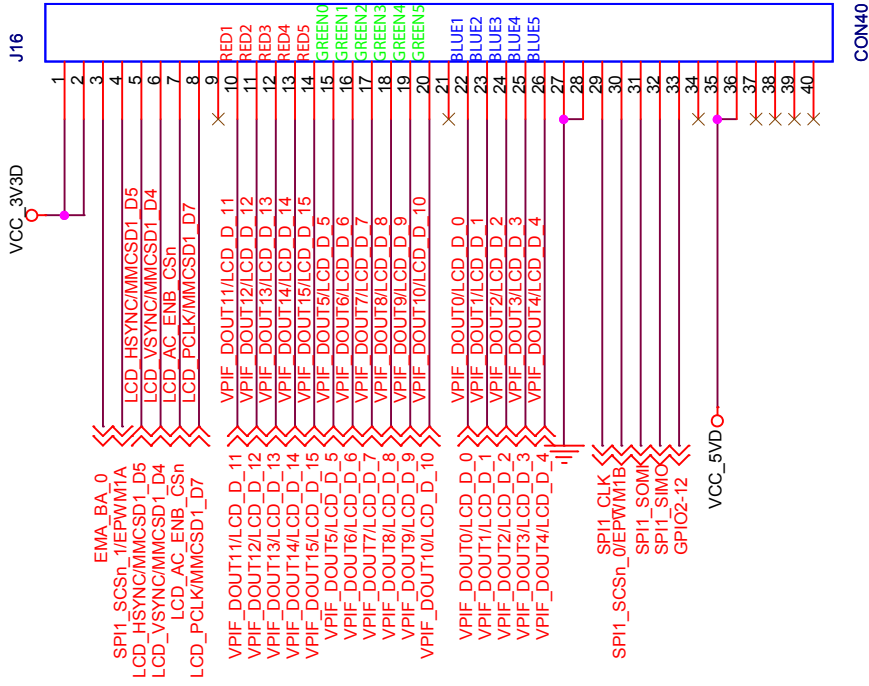
Size A4

Document Number 20121110

Rev 0.1

Date: Tuesday, July 02, 2013

Sheet 9 of 12

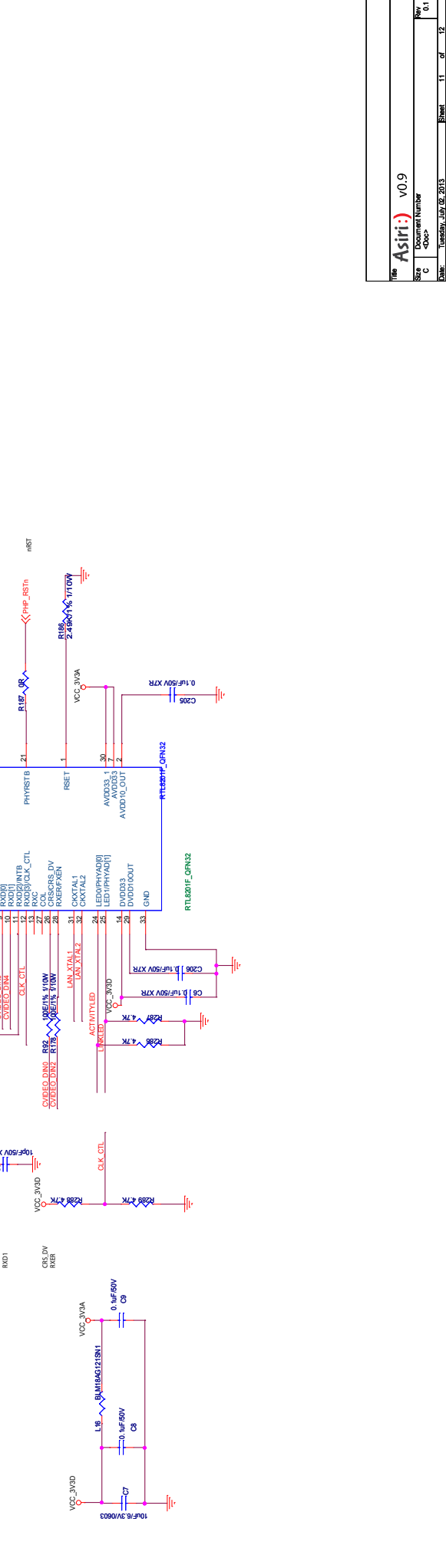
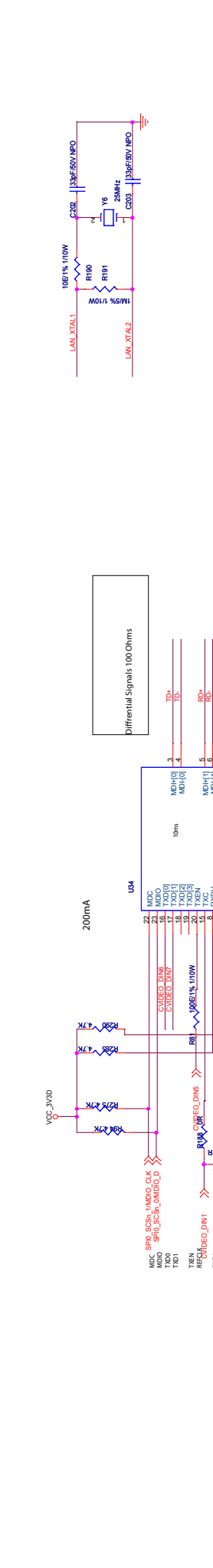
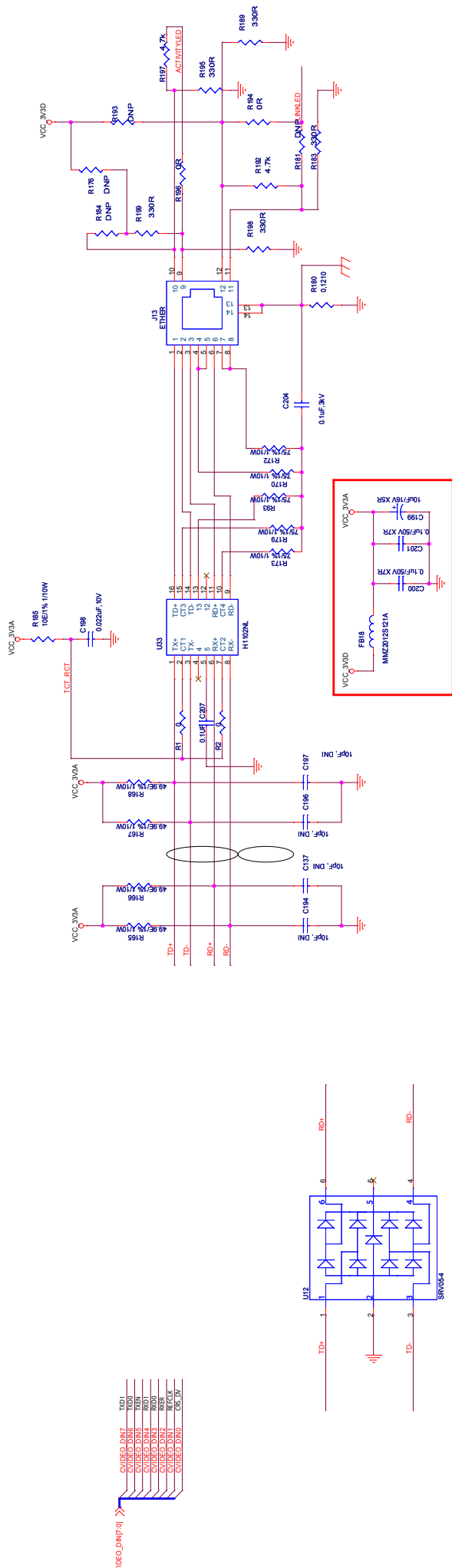


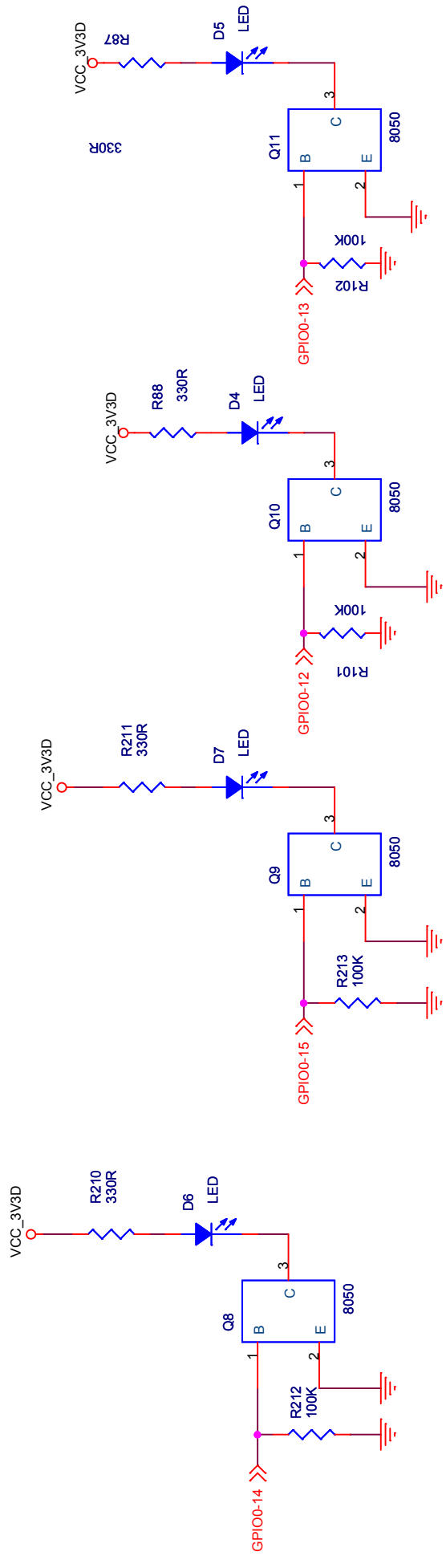
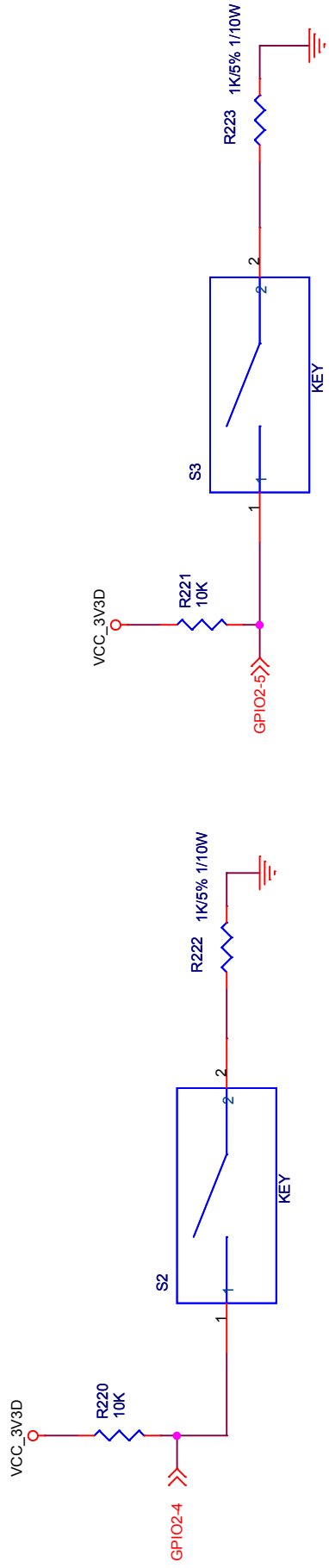
Title Asiri v0.9

Size A4 Document Number 20121110

Date: Tuesday, July 02, 2013 Sheet 10 of 12







Title Asiri: v0.9

Size A4 Document Number 20121110

Date: Tuesday, July 02, 2013 Sheet 12 of 12